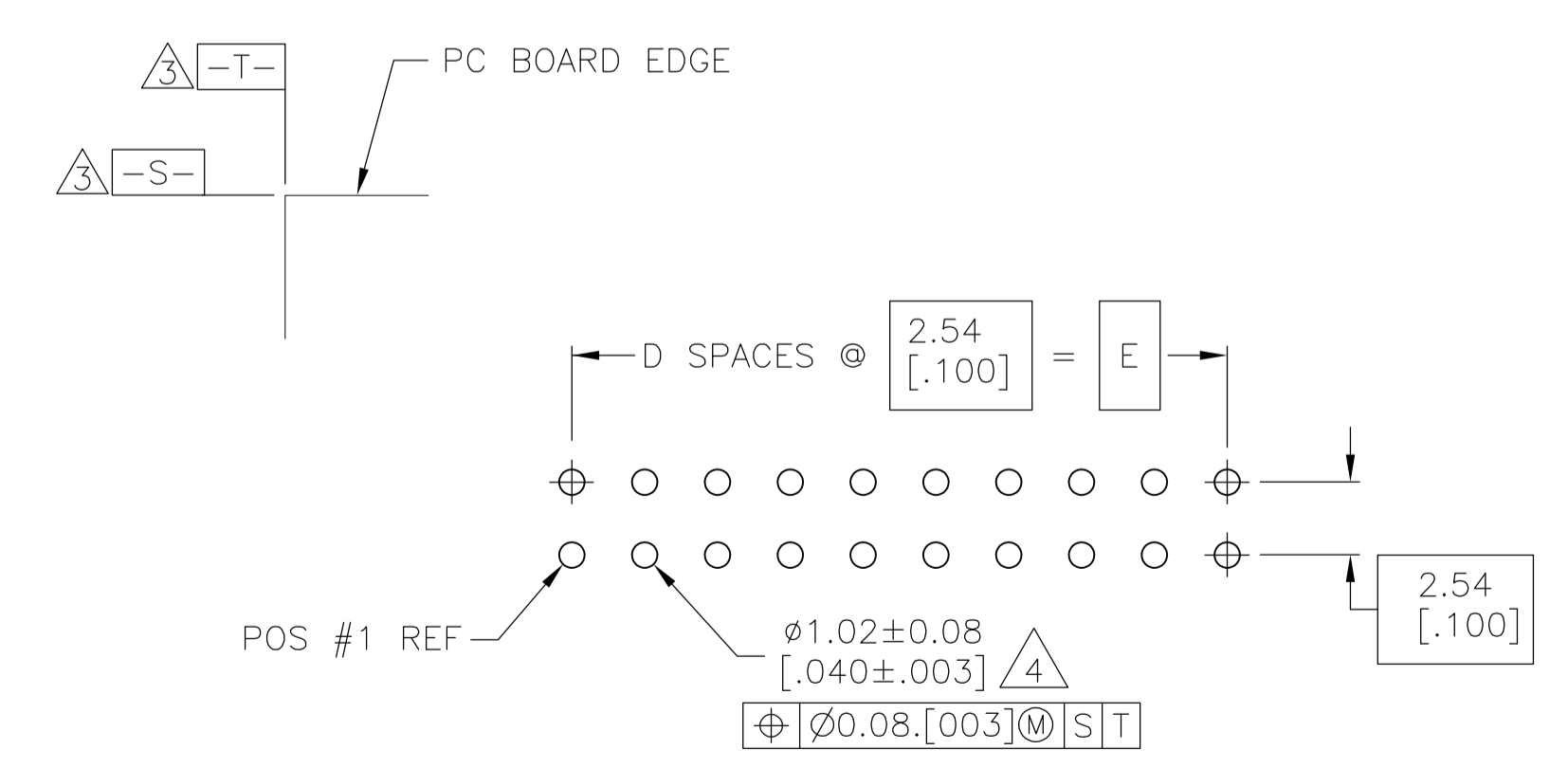
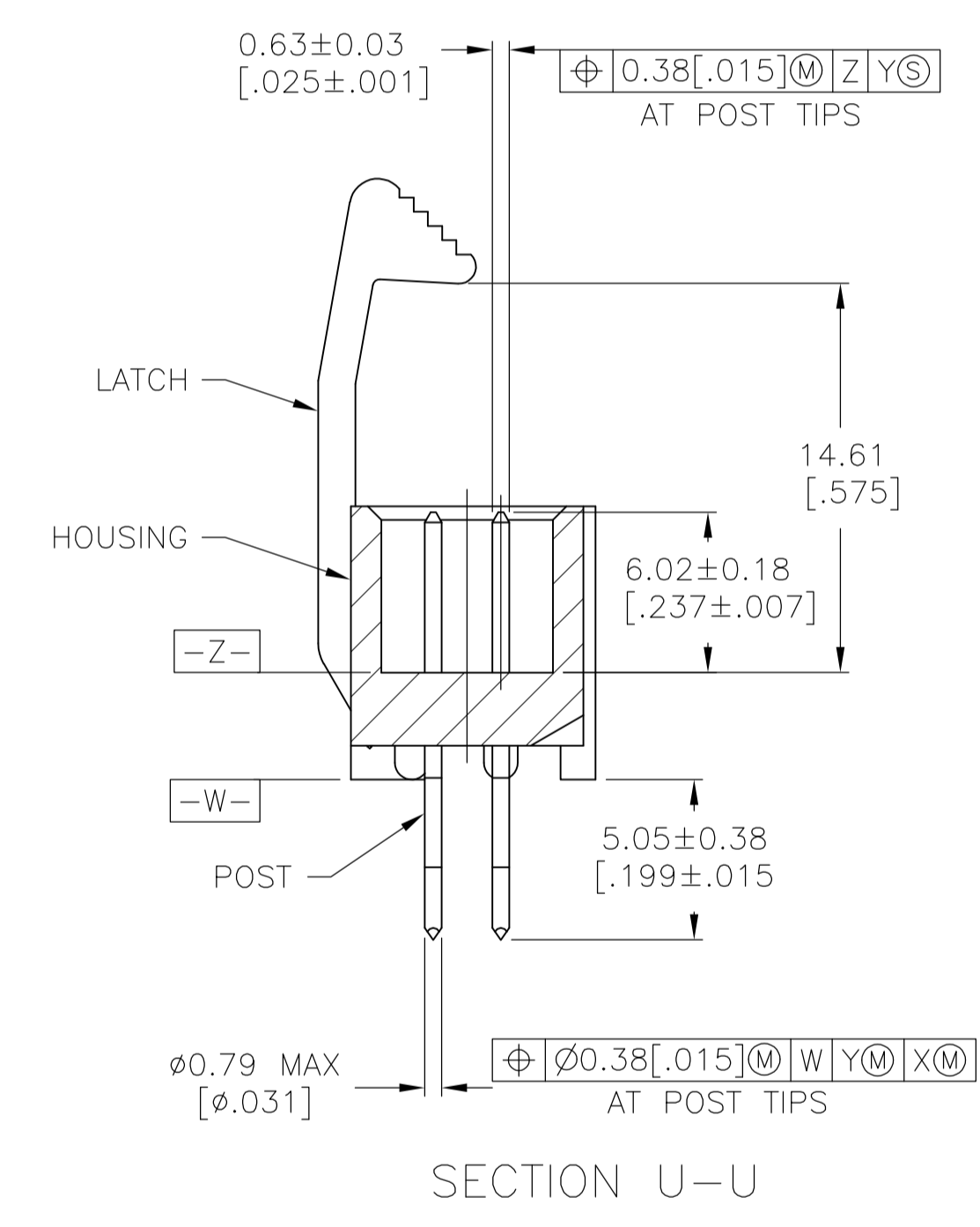
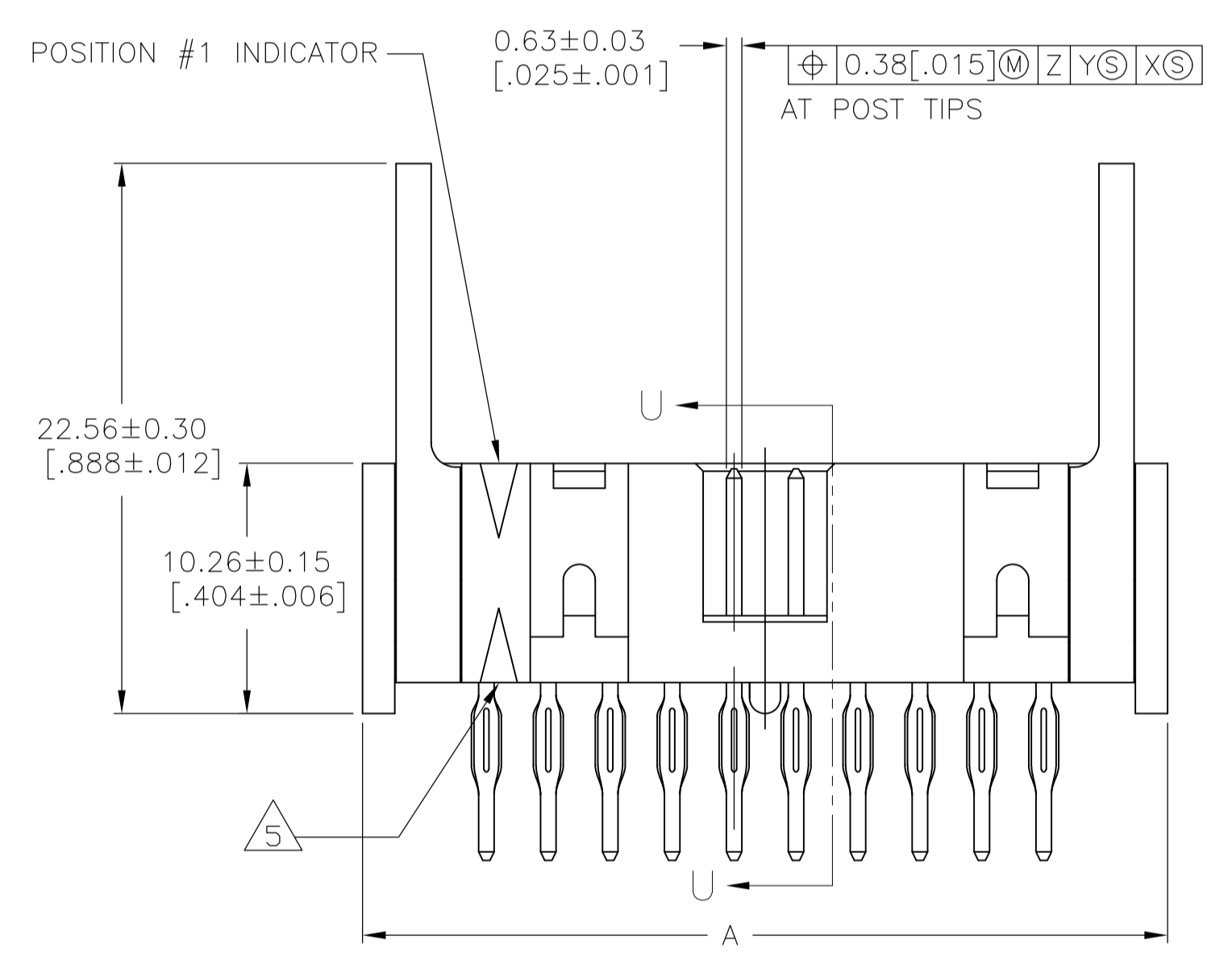


- 1 HOUSING: PBT, UL94V-0, COLOR: BLUE.
POSTS: PHOSPHOR BRONZE.
LATCHES: ZINC ALLOY.
- 2 POSTS: 0.00076[.000030] MIN GOLD ON MATING AREA, 0.00254[.000100] MIN TIN ON COMPLIANT PIN, ALL OVER 0.00127[.000050] MIN NICKEL ON ENTIRE POST.
LATCHES: BLACK NICKEL OVER COPPER.
- 3 DATUMS S & T TO BE ESTABLISHED BY CUSTOMER.
- 4 HOLE DIAMETER AFTER PLATING.
- 5 ALTERNATE LOCATION/ORIENTATION FOR POSITION #1 INDICATOR.



RECOMMENDED PC BOARD LAYOUT
(VIEWED FROM CONNECTOR SIDE)

78.74 [3.100]	31	80.77 [3.180]	86.26 [3.396]	88.90 [3.500]	64	3-1761723-7
60.96 [2.400]	24	62.99 [2.480]	68.48 [2.696]	71.12 [2.800]	50	3-1761723-5
40.64 [1.600]	16	42.67 [1.680]	48.16 [1.896]	50.80 [2.000]	34	3-1761723-1
83.82 [4.400]	4	12.19 [4.800]	17.68 [6.960]	20.32 [8.000]	10	2-1761723-3
E	D	C	B	A	NO OF POS	PART NUMBER

THIS DRAWING IS A CONTROLLED DOCUMENT.

DIMENSIONS: mm [INCHES]	TOLERANCES UNLESS OTHERWISE SPECIFIED:	DIN 9137 MCMMASTER 07SEP05	APVD S.BOLASH 07SEP05	NAME M.WALMSLEY 07SEP05	APPROVED
0 PLC ± -	1 PLC ± -	2 PLC ± -	3 PLC ± 0.1%(.005)	4 PLC ± -	ANGLES ± -
MATERIAL 1	FINISH 2	SIZE A1	CAGE CODE 00779	DRAWING NO. 1761723	RESTRICTED TO
CUSTOMER DRAWING		SCALE 4:1	SHEET 1 OF 1	REV C	

Tyco Electronics Corporation
Harrisburg, PA 17105-3608

HEADERS ASSEMBLY, LONG EJECT LATCH, VERTICAL, LOW PROFILE, IDC